



CATALOG



VDF INVERTER

WWW.KJGENTERPRISE.COM

¿ABOUT US?



OUR OBJECTIVES

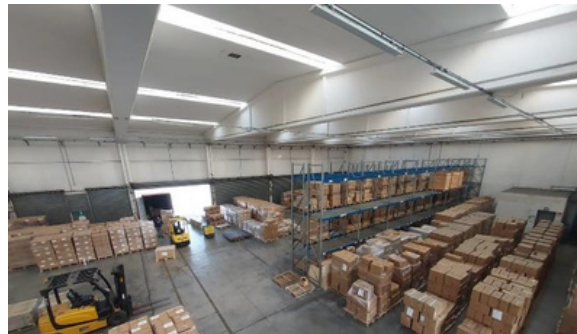
To create value and solutions in the supply chain of the companies, offering different alternatives of acquisition in products or raw materials, reducing production, operative and logistic costs in the acquisition process.

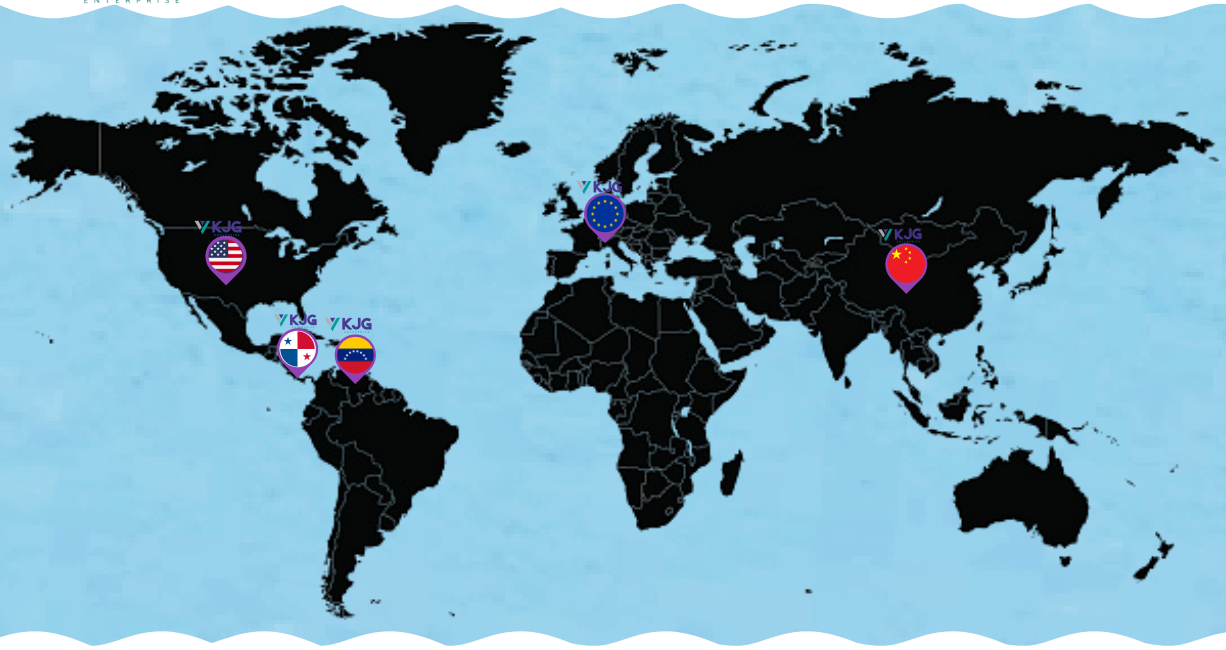
MISSION

Our mission is to satisfy the needs of each of our customers, whether they are small, medium or large, guaranteeing quality, price and less work, no matter where they are in the world, providing all the necessary facilities to strengthen their supply chain with our extensive network of contacts, factories and logistics and management partners.

VISION

Our vision is to continue building and consolidating a specialized, efficient and effective organization in the supply of products, diversifying solutions for the needs of each one of our customers.





CONTACT US

WWW.KJGENTERPRISE.COM

0

info@kjgenterprise.com



We are also here



@KJGWORLDWIDE

CONTENTS



Innovation



Services



Quality



Sincerity

FU9000D General Type Inverter	03
-------------------------------	----

FU9000MD Mini Type Inverter	04
-----------------------------	----

FU9000C Air Compressor Solution	09
---------------------------------	----

FU9000P Water Proof Solution	10
------------------------------	----

USFULL Control Cabinet	11
------------------------	----



Product Induction

The new FU9000D is developed on new hardware platform. The drive has high performance, complete protection functions, longer life endurance.



- * Open loop V/F & SVC control
- * Closed loop FVC control
- * Starting torque
 - 150% at 0.25Hz for SVC
 - 180% at 0Hz for FVC
- * Communication options:
 - Modbus-RTU
 - Profibus-DP
 - CANopen
 - CANlink
- * Automatic torque boost
- * Slip compensation
- * Simplified parameter for easy startup
- * 4-independent S-ramps
- * Flexible programmable I/O connection
- * User programmable function
- * Variable DC-injection braking
- * Comprehensive trip diagnostic
- * Output frequency 500Hz
- * Built-in dynamic braking unit

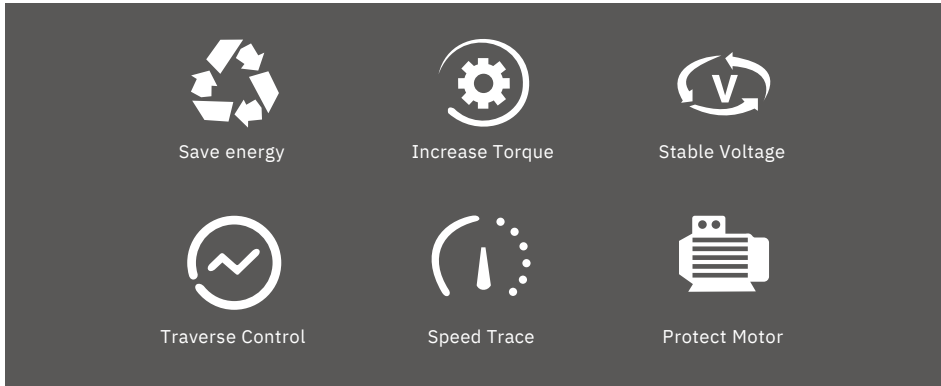
Wide operating voltage Three-phase
380 to 480Vac 0.75 to 630kW

Can operate in high ambient temperature

Built-in DC reactor (18.5kW and above)

Enhanced reliability





Applications


- * Fan equipment
- * Mixing machine
- *Centrifugal equipment
- * CNC machine

- * Milling machine
- * Grinding machine
- * Crane
- *Mining equipment ...

- * Oil equipment
- * Food processing
- * Fruit processing
- * Water treatment

- * Air compressor
- * Industrial pump
- * Cable machine
- * Transmission equipment

FU9000D Type Designation



MODEL:FU9000D-5R5G/7R5P-4-V3 IP20

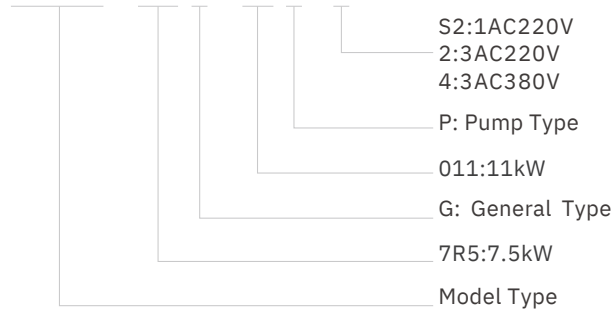
POWER(OUTPUT):5.5KW(G)/7.5KW(P)

INPUT:AC 3PH 380V(±15%) 15/20A 47-63HZ

OUTPUT:AC 3PH 0-380V 13A/17A 0-320HZ

S/N: MADE IN CHINA

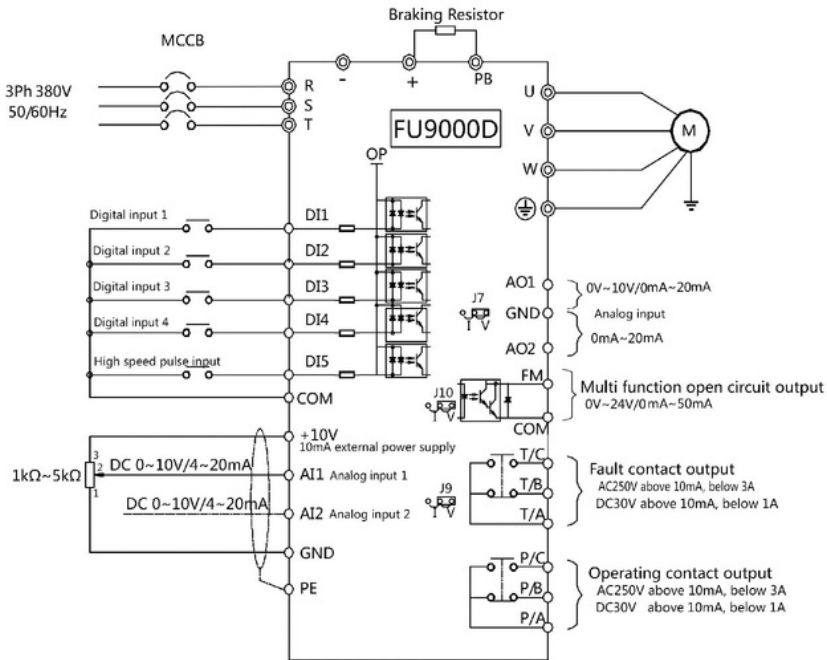
FU9000D- 7R5 G / 011P - 4



Rated Specification

Model	Input Voltage	Rated Power (kW)	Rated Input Current (A)	Rated Output Current (A)
FU9000D-0R7G-S2	Single Phase 220V±15%	0.75	8.2	4
FU9000D-1R5G-S2		1.5	14	7
FU9000D-2R2G-S2		2.2	23	9.6
FU9000D-0R7G-2	Three Phase 220V±15%	0.75	5	3.8
FU9000D-1R5G-2		1.5	5.8	5.1
FU9000D-2R2G-2		2.2	10.5	9
FU9000D-004G-2		4	14.6	13
FU9000D-5R5G-2		5.5	26	25
FU9000D-7R5G-2		7.5	35	32
FU9000D-011G-2		11	46.5	45
FU9000D-015G-2		15	62	60
FU9000D-018G-2		18.5	76	75
FU9000D-022G-2		22	92	91
FU9000D-030G-2		30	113	112
FU9000D-037G-2		37	157	150
FU9000D-045G-2		45	180	176
FU9000D-055G-2		55	214	210
FU9000D-0R7G-4		Three Phase 380V±15%	0.75	3.4
FU9000D-1R5G-4	1.5		5	3.7
FU9000D-2R2G-4	2.2		5.8	5
FU9000D-004G/5R5P-4	4.0/5.5		10/15	9/13
FU9000D-5R5G/7R5P-4	5.5/7.5		15/20	13/17
FU9000D-7R5G/011P-4	7.5/11		20/26	17/25
FU9000D-011G/015P-4	11/15		26/35	25/32
FU9000D-015G/018P-4	15/18.5		35/38	32/37
FU9000D-018G/022P-4	18.5/22		38/46	37/45
FU9000D-022G/030P-4	22/30		46/62	45/60
FU9000D-030G/037P-4	30/37		62/76	60/75
FU9000D-037G/045P-4	37/45		76/90	75/89
FU9000D-045G/055P-4	45/55		92/113	91/112
FU9000D-055G/075P-4	55/75		113/157	112/150
FU9000D-075G/090P-4	75/90		157/180	150/176
FU9000D-090G/110P-4	90/110		180/214	176/210
FU9000D-110G/132P-4	110/132		214/256	210/253
FU9000D-132G/160P-4	132/160		256/307	253/304
FU9000D-160G/185P-4	160/185		307/340	300/330
FU9000D-185G/200P-4	185/200		340/385	330/380
FU9000D-200G/220P-4	200/220		385/430	377/426
FU9000D-220G/250P-4	220/250		430/468	426/465
FU9000D-250G/280P-4	250/280		468/525	465/520
FU9000D-280G/315P-4	280/315		525/590	520/585
FU9000D-315G/350P-4	315/350		590/665	585/650
FU9000D-350G-4	350		665	650
FU9000D-400G-4	400		785	725
FU9000D-500G-4	500		883	820
FU9000D-630G-4	630		1080	1000

Wiring of AC Drive Control Circuit



AI analog input terminal:

Weak analog voltage signal is easy to be disrupted by external factors, generally shield cable is needed (and as short as possible, less than 20 meter).
If facing severe disruption, the analog signal side need filter capacitor or ferrite core.

Basic Technical Specification

Model	Items	Specification
Basic function	Max. frequency	Vector control: 0~300Hz; VF control: 0~3200Hz
	Carrier frequency	0.5kHz~16kHz; can auto adjust according to loading feature
	Input frequency resolution	Digit setting: 0.01Hz; analog settings: max. frequency: 0.025%
	Control mode	Open loop vector control (SVC); Close loop vector control (FVC); VF control
	Start torque	G type: 0.5Hz/150%(SVC); 0Hz/180%(FVC); P type: 0.5Hz/100%
	Speed range	1: 100 (SVC) 1: 1000 (FVC)
	Accuracy of speed	±0.5% (SVC) ±0.02% (FVC)
	Accuracy of torque control	±5% (FVC)
	Overload capacity	G type: 60s of 150% rated current; 3s of 180% rated current P type: 60s of 120% rated current; 3s of 150% rated current
	Torque lift	Auto torque lift; Manual torque lift 0.1%~30.0%
	V/F curve	3 types: line, multi point, Nx VF curve (N1.2 N1.4 N1.6 N1.8 N2)
	V/F separate	2 types: complete separate, half separate
	ACC/DEC curve	Line or S curve ACC/DEC; 4 types of ACC/DEC time, time range 0.0s~6500.0s
	DC brake	DC brake frequency: 0.00Hz~max. frequency; brake time:0.0s~36.0s ; brake current value: 0.0%-100.0%
	Jog control	Frequency range: 0.00Hz~50.00Hz; ACC/DEC time 0.0s~6500.0s
	Simple PLC, multi stage run	Max. 16 stage running by PLC or control terminal
	Bulid-in PID	Convenient to realize close loop system of process control
	AVR	Keep constant voltage when grid fluctuates
	Over voltage/ over current speed control	Auto limit of current and voltage during running, avoid frequent trip by over voltage or over current
	Fast current limit	Lower the possibility of over current, protect the normal running of inverter
Torque limit and control	"Excavator" characteristics, auto limit of torque during running, avoid frequent trip by over current; close loop vector mode can realize torque control	

Basic Technical Specification

Model	Items	Specification
Basic function	LED display	Show parameter
	Parameter copy	Can realize fast copy of LCD parameter
	Key lock and function selection	Partial or total lock of key, define function range of part keys, to avoid wrong operation
	Protection function	Power on motor detection, input/output lost phase protection, over current protection, over voltage protection, under voltage protection, over heat protection, over load protection
	Optional accessories	LCD operate panel, brake unit, IO expansion card 1, IO expansion card 2, programmable card, RS485 card, Profibus-DP card, CANlink card, CANopen card, differential input PG card, UVW differential input PG card, rotate transformer PG card, OC input PG card
Ambience	Installation venue	indoor, no direct sunlight, no dust/corrosive gas /combustible gas/oil mist/vapor/drip/salt
	Altitude	<1000m
	Ambient temperature	-10°C~+40°C (derate on 40°C~50°C)
	Humidity	<95% RH, no water condenses
	Vibration	<5.9m/s- (0.6g)
	Storage temperature	-20°C~+60°C
	IP level	IP20
	Pollution level	PD2
	Power distribution system	TN.TT

FU9000MD Mini Type Inverter



Model	Adapted Motor		Rated Input Current (A)	Rated Output Current (A)
	kW	HP		
Input: single phase 220V, Output: three phase 220V				
FU9000MD-0R7G-S2	0.7	1	8.	4
FU9000MD-1R5G-S2	5	2	2	7
FU9000MD-2R2G-S2	1.5	3	14	1
	2.2		23	0
Input: three phase 220V, Output: three phase 220V				
FU9000MD-0R7G-2	0.7	1	5	4.
FU9000MD-1R5G-2	5	2	7.7	5
	1.5			7
Input: three phase 380V, Output: three phase 380V				
FU9000MD-0R7G-4	0.7	1	3.	2.
FU9000MD-1R5G-4	5	2	4	1
FU9000MD-2R2G-4	1.5	3	5	3.
	2.2		5.	8
			5	5.
				1

FU9000C Air Compressor Solution



CE

Model:FU9000C-7R5G-4 IP20 Power(Output):7.5KW
Input:DC 250V-800V
AC 3PH 380V(-15%)440V(+10%)25A 47Hz-63HZ
Output:AC 3PH 0V-Vin 185A 0-400HZ

S/N:

MADE IN CHINA

Features

FU9000C series inverter has tailored control logic for air compressor, directly support the input of multiple signals like emergency stop, pressure, temperature, fault, etc.

It can realize the control to electromagnetic valve, supply 24V power to external touch screen, provide MODBUS communication port, match USFULL air compressor touch screen without external controller or PLC.

While greatly simplifying the electrical system of air compressor, the solution achieves perfect frequency control.

FU9000P Water Proof Solution



CE

Model:FU9000P-7R5G-4

IP20

Power(Output):7.5KW

Input:DC 250V-800V

AC 3PH 380V(-15%)25A 47Hz-63HZ

Output:AC 3PH 0V-Vin 185A 0-400HZ

S/N:

MADE IN CHINA

Features

*Water proof

*Dust proof

FU9000P is designed for high demand of protection level. The inverter has unique cooling system, can work in severe environment.



USFULL offers solutions of cabinet suitable for various kinds of applications, constant pressure water supply is one of them.

Function:

- 1Constant pressure
- 2Can choose auto/manual control of running
- 3Auto switch among pumps
- 4System standby/wake up, when stop using water, system on standby mode until water is needed again (auto wake up)
- 5PID adjustable
- 6Pump sets and circuit protect, detect and warning, signal display, etc.

**We also have catalogs
available in other categories,
if you are interested in any
of them, let us know!**

▶ OTHER CATEGORIES

- AGRICULTURAL IMPLEMENTS**
- BICYCLES**
- FORKLIFTS**
- KITCHEN**
- LIGHTING**
- MECHANIC TOOLS**
- PLASTIC CONTAINERS**
- SAW BLADE**
- SURFACES**
- TOYS**



▶ AND MORE!